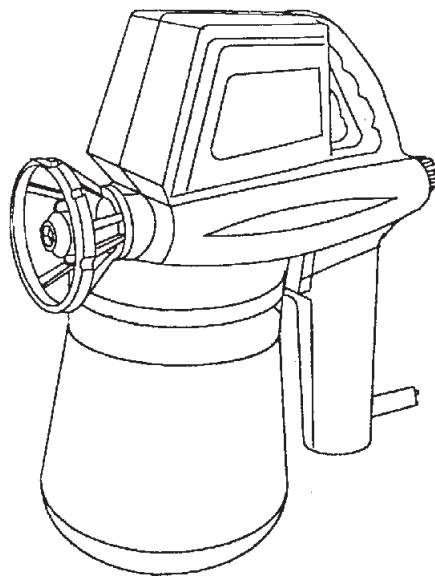


# ELECTRIC PAINT SPRAY GUN

Model 47274

## ASSEMBLY and OPERATING INSTRUCTIONS



3491 Mission Oaks Blvd., Camarillo, CA 93011  
Visit our Web site at <http://www.harborfreight.com>

Copyright © 2002 by Harbor Freight Tools®. All rights reserved. No portion of this manual or any artwork contained herein may be reproduced in any shape or form without the express written consent of Harbor Freight Tools.

**For technical questions and replacement parts, please call 1-800-444-3353**

## Specifications



Power Supply	110 V, 60 Hz, 80 Watts
Container Capacity	33 Ounces
Maximum Pressure	1450 PSI / 100 Bar - Flow Rate = 5.1 GPH
Maximum Viscosity	30 (Seconds) Refer to page 5 (test).
Handle Length	5 Inches
Gun Dimensions	9-1/2" H x 4-1/2" W (weight = 3 Lbs.)
Accessories: Viscosity Cup with hanger/ Four Nozzle Tips including 2 - .032", 1 - .021", 1 - Extended Tip - .021", / Angled Nozzle Adapter (50 Degree)	

### Save This Manual

You will need the manual for the safety warnings and precautions, assembly instructions, operating and maintenance procedures, parts list and diagram. Keep your invoice with this manual. Write the invoice number on the inside of the front cover. Keep the manual and invoice in a safe and dry place for future reference.

### Safety Warnings and Precautions

**WARNING: When using tool, basic safety precautions should always be followed to reduce the risk of personal injury and damage to equipment.**

**Read all instructions before using this tool!**

1. **Keep work area clean.** Cluttered areas invite injuries.
2. **Observe work area conditions.** Do not use machines or power tools in damp or wet locations. Don't expose to rain. Keep work area well lighted. Do not use electrically powered tools in the presence of flammable gases or liquids. Do not spray near open flames, pilot lights, or any other heat source. Do not smoke while working with spraying tools. Always work in a well ventilated area. Paints, sealers, stains and thinner emit toxic fumes and are extremely flammable.
3. **Keep children away.** Children must never be allowed in the work area. Do not let them handle machines, tools, or extension cords.
4. **Store idle equipment.** When not in use, tools must be stored in a dry location to inhibit rust. Always lock up tools and keep out of reach of children.
5. **Do not force tool.** It will do the job better and more safely at the rate for which it was intended. Do not use inappropriate attachments in an attempt to exceed the tool capacity.
6. **Use the right tool for the job.** Do not attempt to force a small tool or attachment to do the work of a larger industrial tool. There are certain applications for which this tool was designed. Do not modify this tool and do not use this tool for a purpose for which it was not intended.
7. **Dress properly.** Do not wear loose clothing or jewelry as they can be caught in moving parts. Protective, electrically non-conductive clothes and non-skid footwear are recommended when working. Wear restrictive hair covering to contain long hair.

REV 08/06

8. **Use eye and ear protection.** Always wear ANSI approved impact safety goggles. Wear an ANSI approved respirator when working around metal, wood, and chemical dusts, mists, paints, oils, sealers, and stains.
9. **Do not overreach.** Keep proper footing and balance at all times. Do not reach over or across running machines.
10. **Maintain tools with care.** Keep tools clean for better and safer performance. Follow instructions for lubricating and changing accessories. Inspect tool cords periodically and, if damaged, have them repaired by an authorized technician. The handles must be kept clean, dry, and free from oil and grease at all times.
11. **Avoid unintentional starting.** Be sure the switch is in the Off position when not in use and before plugging in. Do not carry any tool with your finger on the trigger, whether it is plugged in or not.
12. **Stay alert.** Watch what you are doing, use common sense. Do not operate any tool when you are tired.
13. **Check for damaged parts.** Before using any tool, any part that appears damaged should be carefully checked to determine that it will operate properly and perform its intended function. Check for alignment and binding of moving parts; any broken parts or mounting fixtures; and any other condition that may affect proper operation. Any part that is damaged should be properly repaired or replaced by a qualified technician. Do not use the tool if any switch does not turn On and Off properly.
14. **Guard against electric shock.** Prevent body contact with grounded surfaces such as pipes, radiators, ranges, and refrigerator enclosures.
15. **Replacement parts and accessories.** When servicing, use only identical replacement parts. Use of any other parts will void the warranty. Only use accessories intended for use with this tool. Approved accessories are available from Harbor Freight Tools.
16. **Do not operate tool if under the influence of alcohol or drugs.** Read warning labels on prescriptions to determine if your judgment or reflexes are impaired while taking drugs. If there is any doubt, do not operate the tool.
17. **Use proper size and type extension cord.** If an extension cord is required, it must be of the proper size and type to supply the correct current to the tool without heating up. Otherwise, the extension cord could melt and catch fire, or cause electrical damage to the tool. This tool requires use of an extension cord of **0 to 10 amps** capability (up to 50 feet), with wire size rated at **18 AWG**. Longer extension cords require larger size wire. If you are using the tool outdoors, use an extension cord rated for outdoor use (signified by "WA" on the jacket).
18. **Maintenance.** For your safety, maintenance should be performed regularly by a qualified technician.
19. **WARNING:** This product contains or, when used, produces a chemical known to the State of California to cause cancer and birth defects or other reproductive harm.
  - An example of these chemicals is lead from lead-based paints.

- Stains, oil-based paints, thinners, sealers, and water-proofers.

Your risk from these exposures varies, depending on how often you do this type of work. To reduce your exposure to these chemicals: work in a well ventilated area, and work with approved safety equipment, such as respirators that are specially designed to filter out microscopic particles. (California Health & Safety Code § 25249.5, *et seq.* )

**Note:** Performance of this tool (if powered by line voltage) may vary depending on variations in local line voltage. Extension cord usage may also affect tool performance.

**Warning:** The warnings, cautions, and instructions discussed in this instruction manual cannot cover all possible conditions and situations that may occur. It must be understood by the operator that common sense and caution are factors which cannot be built into this product, but must be supplied by the operator.

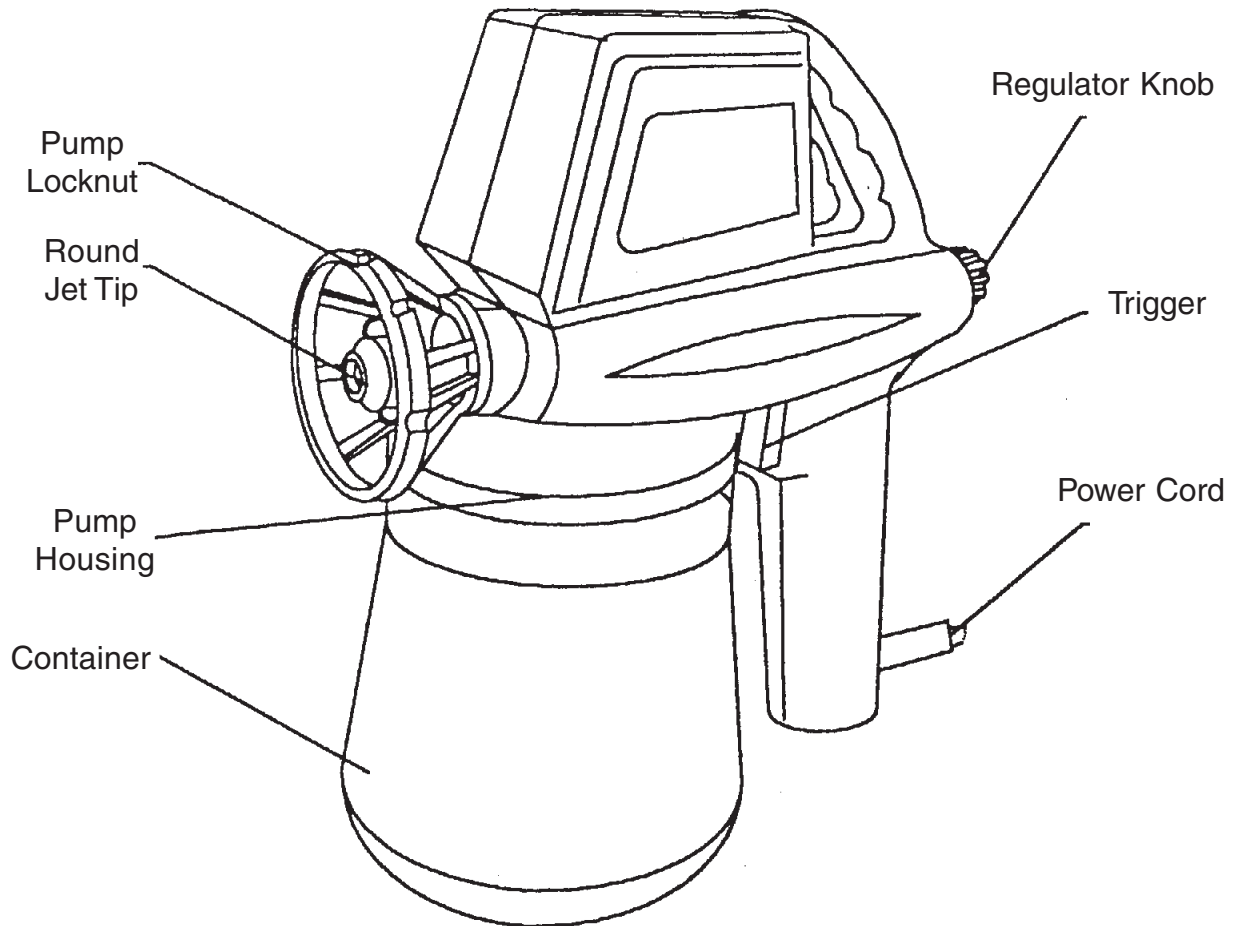
### **Additional Paint Gun Warnings**

1. Although this paint gun is airless, it still puts out paint at a very high pressure. Through improper use, paint can be injected through a persons skin, leading to serious injury, possibly amputation. If paint is accidentally injected into someone's skin, contact a doctor immediately.
2. Never point your sprayer at anyone, including yourself. Gloves and clothing don't offer adequate protection from toxic paints, sealers, water-proofers, or stains.
3. Keep the trigger and the electrical cord plug clean and paint-free.
4. Never run your sprayer empty. Damage to the unit may occur.
5. Do not spray asbestos, metallic paints, glazes, red lead, cement, ground chalk, abrasive grainy paints containing lime, or bleach through your spray gun. These will severely damage the spray gun.
6. When storing, always coat the unit with a light household oil.
7. The Sprayer must be plugged into an outlet that is grounded in accordance with all local codes and ordinances.
8. Use caution while spraying on windy days.

## **Unpacking**

When unpacking, check to make sure the parts listed on page 8 are included. If any parts are missing or broken, please call Harbor Freight Tools at the number on the cover of this manual as soon as possible.

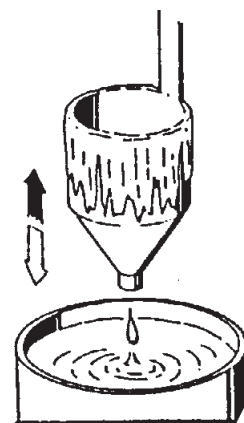
## Operation



1. Before loading the **Container (17)** with material, check the viscosity of the material.
2. Dip the Viscosity Cup into the material, and time how long it takes for the material to completely run out of the cup (See FIGURE 1). The longer it takes, the higher the viscosity.
3. In general, most materials work adequately if the viscosity is between 15 and 30 seconds.
4. If the viscosity is too high, you will have to thin the material to use it. Follow the material manufacturer's instructions for thinning each material.
5. If you thinned materials, retest the viscosity.

**Note:** When using a material for the first time, it is recommended that you experiment on newspaper attached to a vertical surface, testing your spray patterns.

FIGURE 1

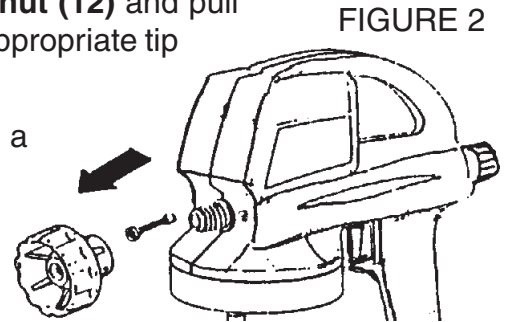


## Operation (continued)

**Warning!!** Make sure the Spray Gun is unplugged from the power source and your finger is off of the **Trigger (#19)** when adjusting or changing **Nozzle Tips (#11)**.

6. Attach the appropriate **Nozzle Tip (11)**. The Spray Gun comes with:
  - (2) @ .032" - For latex stain and oil based paints, heavy bodies
  - (1) @ .021" - For light bodies, stains, sealers, and water-proofers
  - (1) @ .021" - (Extended Tip) For lighter bodies, stains, sealers, and water-proofers
7. To attach a new **Nozzle Tip (11)**, remove the **Locknut (12)** and pull out the existing **Nozzle Tip (11)**. Replace with the appropriate tip and reinsert the **Locknut (12)**.

**Note:** When inserting a **Nozzle Tip (11)**, if you turn it in a clockwise position, the spray pattern will be wide with fine atomization. If you turn it in a counterclockwise direction, the pattern will narrow and result in less atomization.



**Note:** With thin sealers or stains, fogging or dripping may occur when the tip is adjusted clockwise. To prevent fogging or dripping, slightly rotate the nozzle counterclockwise. Small adjustments make a huge difference in spray patterns.

**Note:** Adjusting the nozzle combined with the **Regulator (25)** knob, will give you the proper pattern for all of your applications.

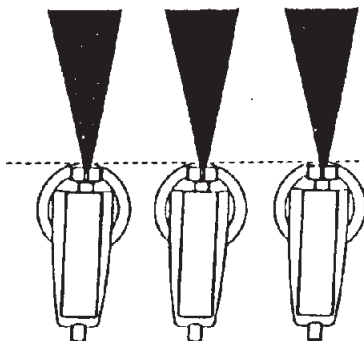
8. Unscrew the **Container (17)** counterclockwise to remove.
9. Pour the appropriate material (33 ounce maximum) in.
10. **Make sure the Suction Tube (16) with the Filter (28) on the end of the tube, is firmly inserted all the way into the Lid / Pump Housing (18) before installing the Container (17).**
11. Screw the **Container (17)** on clockwise.

12. Rotating the **Regulator (25)** knob clockwise reduces the output. Rotating the **Regulator (25)** knob counterclockwise increases the output. Rotate the knob to its maximum setting (counterclockwise) to start spraying. Test on a piece of scrap, or newspaper taped to the wall.

Adjust the **Regulator (25)** knob as needed if you do as shown in FIGURE 3. Unparallel spraying, as in FIGURE 4, and results above to indicate the **Nozzle Tip (11)**.

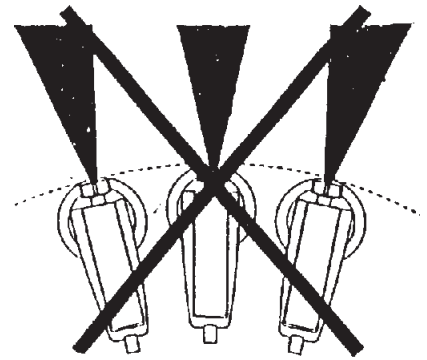
**Note:** Never tilt the Spray Gun more than 45 degrees for spraying ceilings or floors. Use the Angled Nozzle Adapter provided with this set.

FIGURE 3



**Note:** It takes a period of time for the Spray Gun to accumulate suction pressure; allow the unit time for the suction pressure to build up before expecting optimum Spray Gun performance.

FIGURE 4



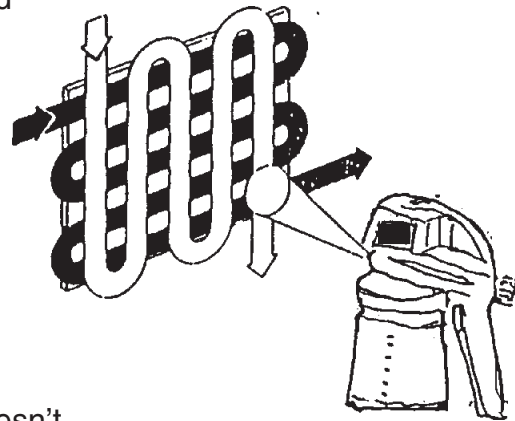
REV 10/02

## Operation (continued)

### Proper Spraying Techniques (continued).

From a distance of 12 inches, keep your arm extended with your elbow locked. This will insure you maintain the correct distance more accurately. Squeeze the **Trigger (#19)** and move the Spray Gun evenly and steadily. Use an established pattern for each pass as shown in FIGURE 5. Breaking up your pass will result in irregular surface patterns. At the end of each pass, release the **Trigger (#19)** for a second to prepare for the next pass.

FIGURE 5



### Tips

1. Apply a thin coat on each pass so that the paint doesn't run. Add additional coats if needed.
2. Always test the sprayer on scrap before using, or if you let it sit a while between coats.
3. When working on vertical surfaces, first apply a fine mist from a greater distance, and then move closer to finish.
4. Make sure you mask any area not to be sprayed.
5. **Note: Before each use, make sure the Suction Tube (#16) is firmly inserted all the way into the Lid/Pump Housing (#18) before installing the Container (#17).**

## Maintenance/Cleaning

**Warning!!** Before performing any maintenance, the Spray Gun should be unplugged and you should be wearing your ANSI approved respirator and safety goggles or full face shield.

1. Clean your sprayer immediately after each use.
2. Pour the remaining material from the **Container (#17)** back into the material can.
3. Use an approved thinner or cleaner for the material used. Read and follow all of the material manufacturer's instructions regarding cleaners or thinners.
4. Pour a few ounces of the recommended thinner or cleaner into the **Container (#17)** and close it tight. Plug in the sprayer. In a bucket, run the sprayer until the solution comes out clean. Repeat the process if necessary. Unplug the unit. Contact your local hazardous waste authority to find the proper outlet to dispose of your thinners, cleaners or paint.
5. Remove the **Container (#17)**. Pull out the **Suction Tube (#16)**. Lubricate the **Suction Tube (#16)** hole with a light household oil. Clean the **Suction Tube (#16)** with a brush, rinse out the **Filter (#28)** with hot soapy water or thinner.
6. Reassemble the unit.

**Warning!!** Never completely submerge your unit in water or any liquid.

7. **Note:** Replacement cylinders are available in a 4 pack from Harbor Freight Tools - SKU #47366.

## Parts List

Parts No.	Description
1	Power Cord
2	Grommet
3	Terminal Board
4	Switch
5	Housing Half Shells
6	Leaf Spring
7	Armature
8	Shock Absorber
9	Drive Housing
10	Valve
11	Nozzle Set*
12	Locknut
13	Cylinder
14	Piston Spring
15	Piston
16	Suction Tube
17	Container
18	Lid / Pump Housing
19	Trigger
20	Switch Spring
21	Brand Plate
22	Housing Half Shells
23	Screw
24	Spring
25	Regulator
26	Strain Relief
27	Screw
28	Filter
29	Nozzle Extension and Atomizer

**Note:** Replacement Cylinders (#13) are available in a 4 pack SKU #47366.

\* **Nozzle Set (#11)** includes 2 - .032", 1 - .021", 1 - Extended Tip - .021", / Angled Nozzle Adapter (not shown on Assembly Drawing).

**PLEASE READ THE FOLLOWING CAREFULLY**

THE MANUFACTURER AND/OR DISTRIBUTOR HAS PROVIDED THE PARTS DIAGRAM IN THIS MANUAL AS A REFERENCE TOOL ONLY. NEITHER THE MANUFACTURER NOR DISTRIBUTOR MAKES ANY REPRESENTATION OR WARRANTY OF ANY KIND TO THE BUYER THAT HE OR SHE IS QUALIFIED TO MAKE ANY REPAIRS TO THE PRODUCT OR THAT HE OR SHE IS QUALIFIED TO REPLACE ANY PARTS OF THE PRODUCT. IN FACT, THE MANUFACTURER AND/OR DISTRIBUTOR EXPRESSLY STATES THAT ALL REPAIRS AND PARTS REPLACEMENTS SHOULD BE UNDERTAKEN BY CERTIFIED AND LICENSED TECHNICIANS AND NOT BY THE BUYER. THE BUYER ASSUMES ALL RISK AND LIABILITY ARISING OUT OF HIS OR HER REPAIRS TO THE ORIGINAL PRODUCT OR REPLACEMENT PARTS THERETO, OR ARISING OUT OF HIS OR HER INSTALLATION OF REPLACEMENT PARTS THERETO.

**NOTE:** Some parts are listed and shown for illustration purposes only and are not available individually as replacement parts.



# Assembly Drawing

Nozzle Set (#11) includes 2 - .032", 1 - .021", 1 - Extended Tip - .021", / Angled Nozzle Adapter (not shown on Assembly Drawing).

